

*Clif Mock*

# ***CD20 (230VAC)***

© 2004 NuFlo Technologies, Inc.

NuFlo Technologies, Inc.

NuFlo Technologies, Inc.

20165011A  
2004

.....	<b>1</b>
.....	<b>3</b>
.....	3
.....	3
.....	3
.....	3
CD20.....	3
.....	<b>4</b>
.....	4
.....	4
.....	<b>5</b>
.....	<b>7</b>
.....	<b>8</b>



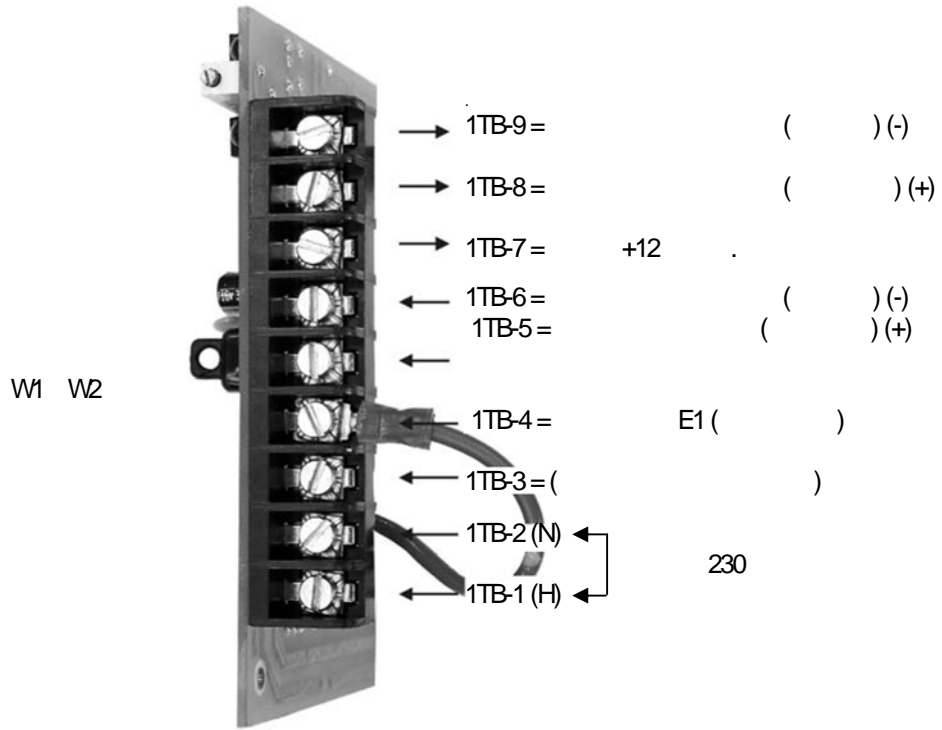
CD20-230VAC  
True-Cut C.

- ( ) “ ” , 1,5- ,  
CD 20 180
- 150:1.
- ,
- CD20  
« ».
- , , C. ; CD20
- 3/4 , 230 ( NPT  
) 1/2-
- 180 .

CD20 DC-2 , DC-2 , DC-2 , DC-2 ,  
DC-1 CD20,

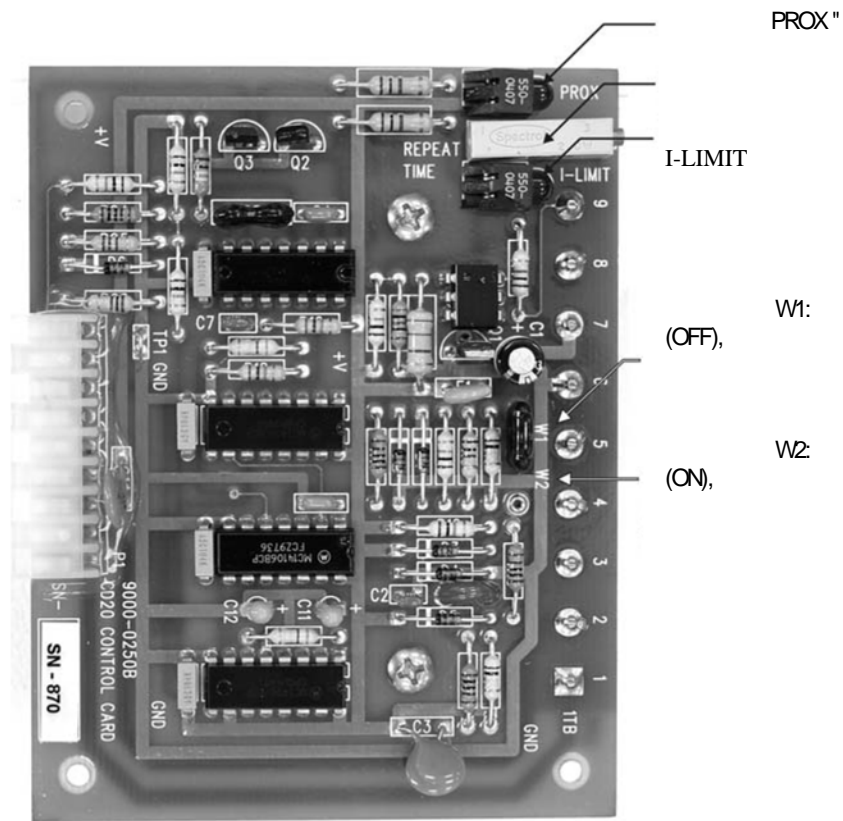
CD20-230VAC

- ( 1):
1. 230 1TB-1 1TB-2.
  2. 1TB-5 1TB-6.  
1TB-5 1TB-6 ( ).  
5  
« » .  
12 .  
5
  1. E1 « »  
CD20. E1 1TB-3.  
( ) , E1 1TB-  
4, 1.
  2. 1TB-8 ( ) 1TB-9 ( ) .  
+12 1TB-7  
50 .



1—

CD20 (230VAC)



2—

CD20 (230VAC) ( )

- 1. CD20-230VAC
- 2. 1TB-5 1TB-6

- 1. E1 1TB-4.
- 2. 230 CD20-230VAC.
- 3. 3 , 180 3  
(" ") PROX
- 4. , CD20 ,  
CD20.  
2TB-1 2TB-2.
- 5. , I-LIMIT CD20.  
12 , I-LIMIT  
PROX (" ") ,  
2,5 180

- 1. 230 CD20.
- 2. , E1 1TB-3.
- 3. 1TB-5 1TB-6.
- 4. 230 CD20.
- 5. , CD20 180  
— , CD20,  
5 , CD20  
PROX (" ") ,

**CD20**

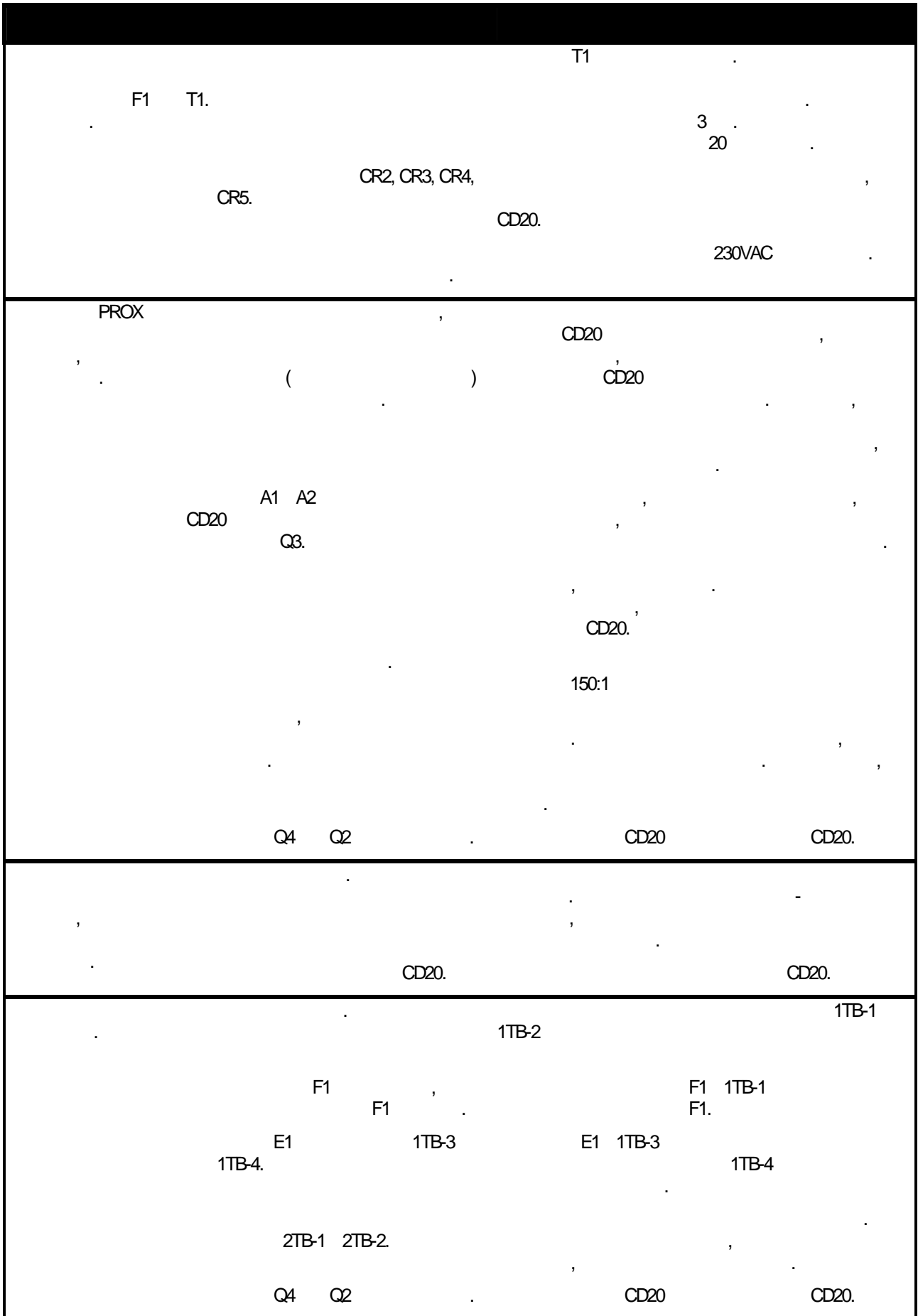
- 1. CD20.
- 2. CD20 DC-2.
- 3. ,
- 4. 1,5 ; 10 10  
15 .

CD20 , CD20.  
1TB  
2TB

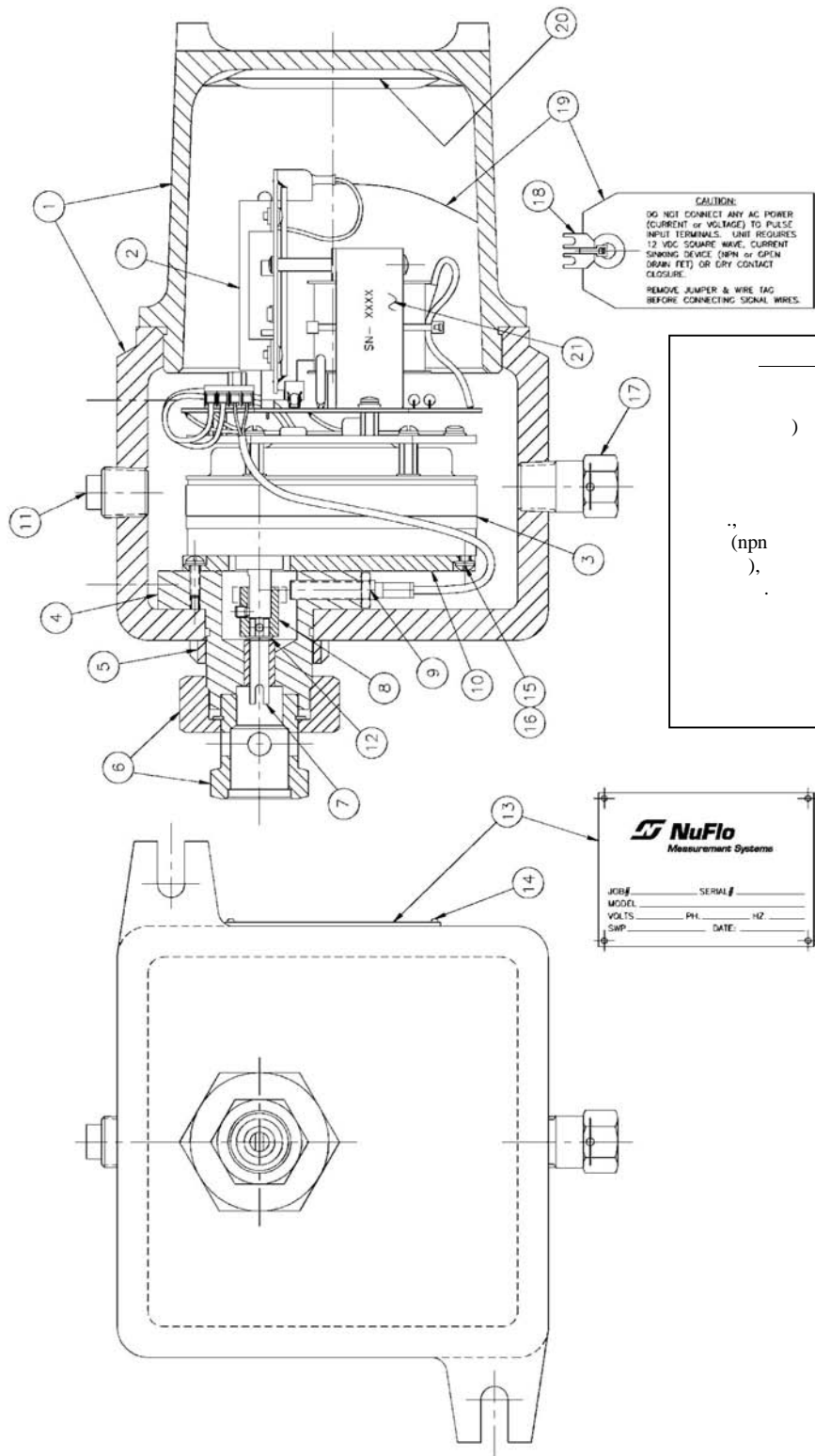
12  
3  
I-LIMIT  
PROX (" ")

- CD20 :  
FI (1 , AGC) T1.
- T1 230 14  
W3.
- CR2, CR3, CR4, CR5
- Q1, Q2, Q4  
CD20, 9
- Q3  
/ .Q3
- R5
- U1 +12





( )	1TB-5 1TB-6	CD20
6 +12	1TB-5 1TB- ( 1)	
PROX(" ")	CD20	CD20
	Q4	Q4 MJE 3055 CD20



**CD20-230VAC**

	-	NO.	:
1	1	50142304856	
2	1	50142307662	, 230
3	1	50142307700	CS/CD
4	1	50142382006	, D
5	1	50142200170	CS/CD
6	1	50142150932	DC-2
7	1	50142307695	
8	1	50142381667	, /
9	1	50142309906	, EI- 08-01-NACS
10	1	50142307686	
11	1	50142304632	, 1/2"
12	1	50142307696	
13	1	50142200101	CD/DS
14	4	50025400765	2 x 3/16"
15	11	50142307693	, #8-32NC x 1/2" LG
16	11	50142307694	, #8
17	1	50142304642	, 1/2"
18	1	50142400194	, RDI #J4-02
19	1	50142200109	, CD20, CD20A, CD30
20	1	50142304858	HUMISORB, #107HX 4 x 4
21	1	50142307670	, CD20 230VAC

—

:

(1)

" "

(

),

-

: ©2008 "

[kpv.ims@gmail.com](mailto:kpv.ims@gmail.com)

 **NuFlo**  
**Measurement Systems**

NuFlo Measurement Systems  
14450 John F. Kennedy Blvd.  
Houston, TX 77032  
[www.nuflotech.com](http://www.nuflotech.com)

**North America:**

800-654-3760  
281-582-9500 (Houston)  
877-891-6540 (Calgary)

**UK:**

44-1243-826741

**Singapore:**

65-6737-0444